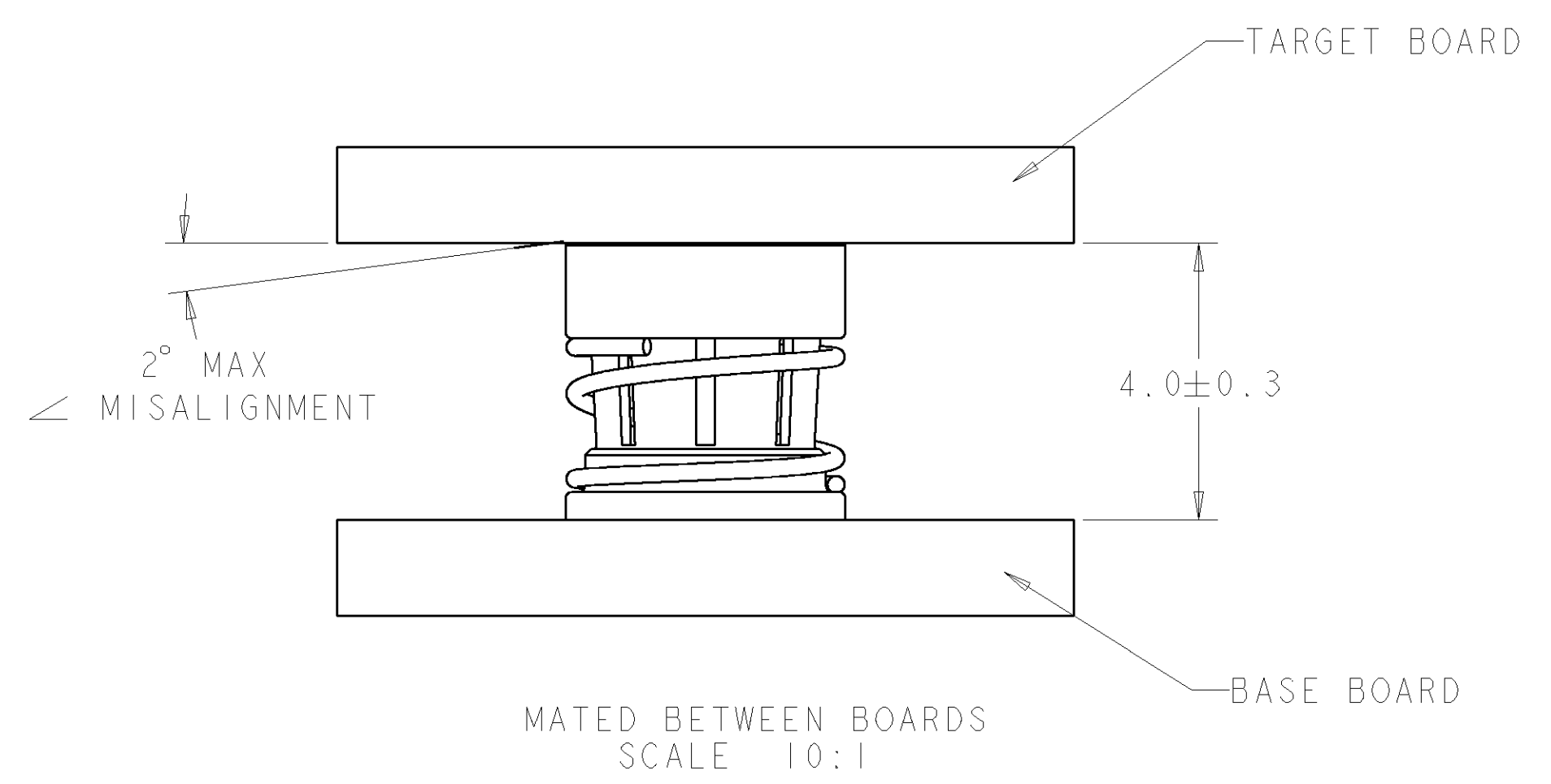
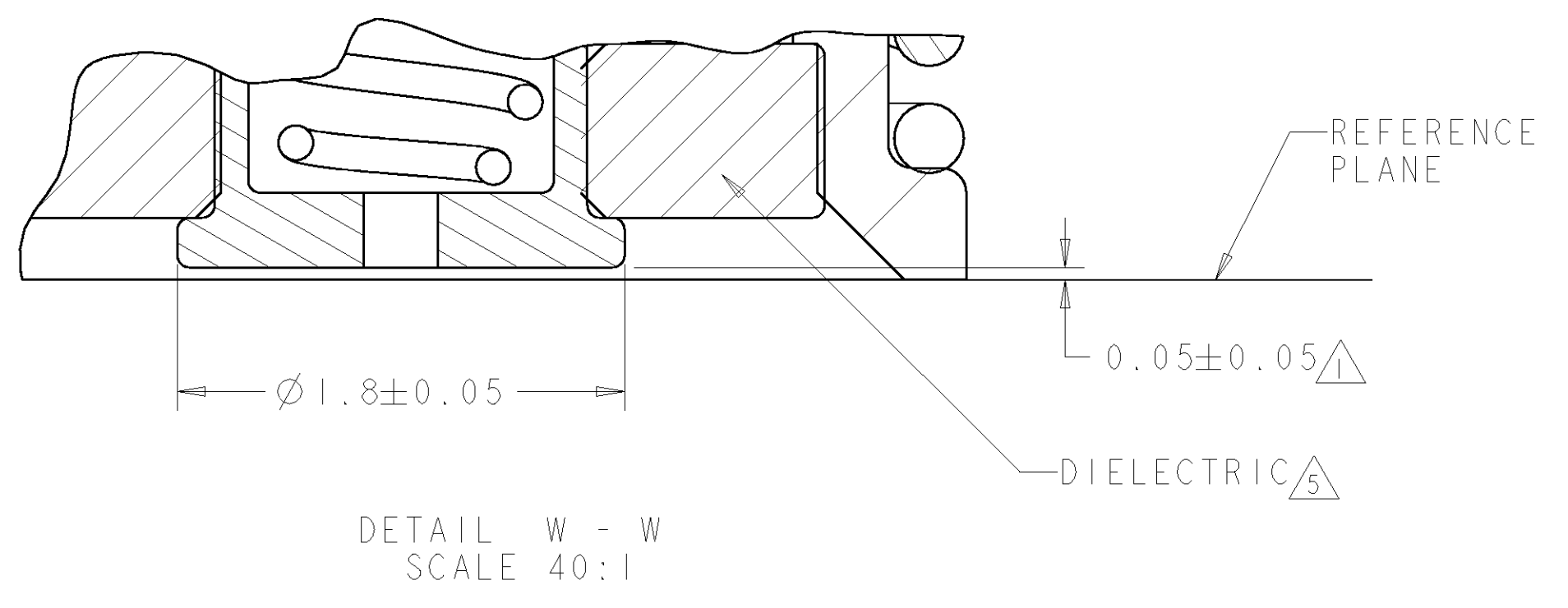
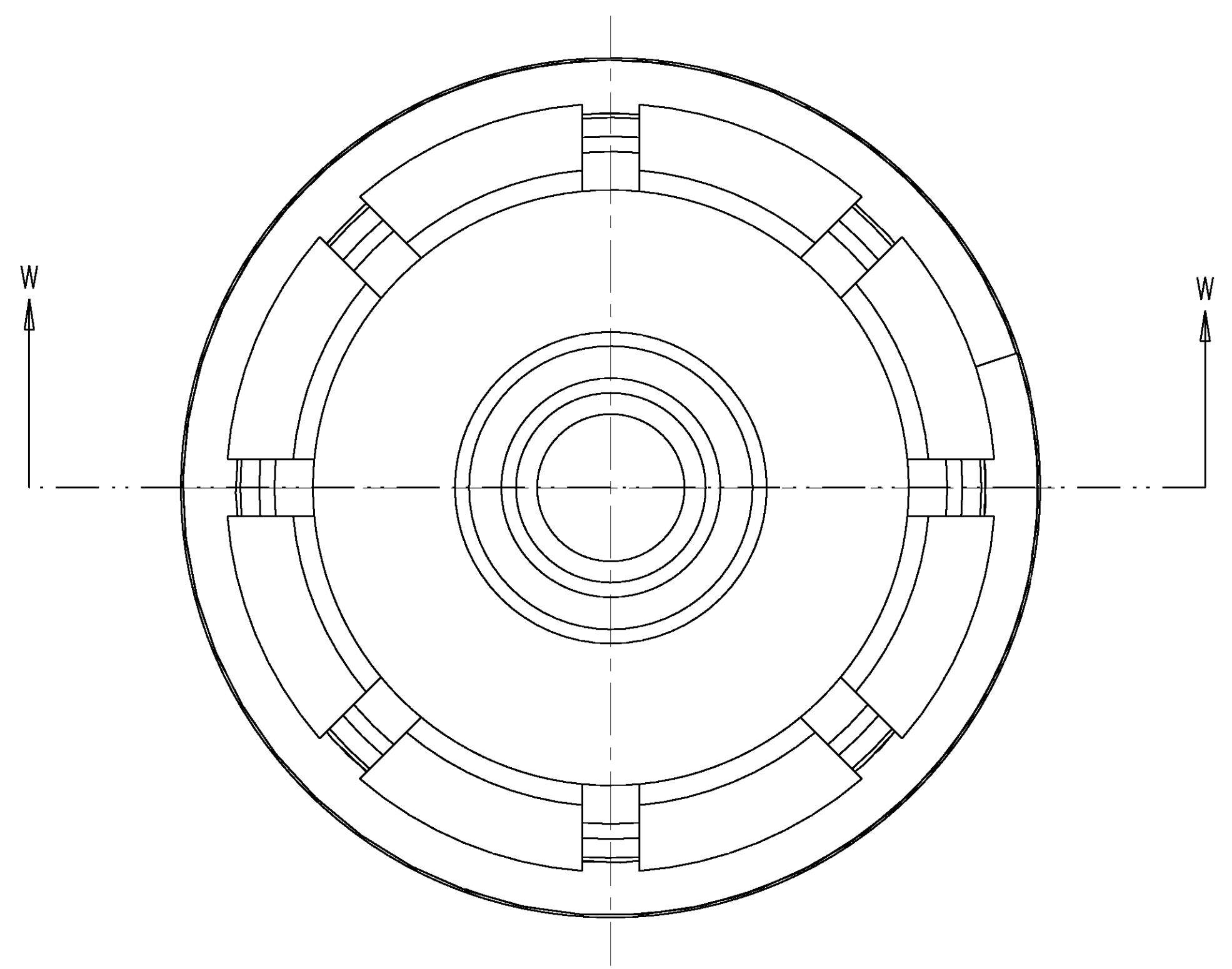
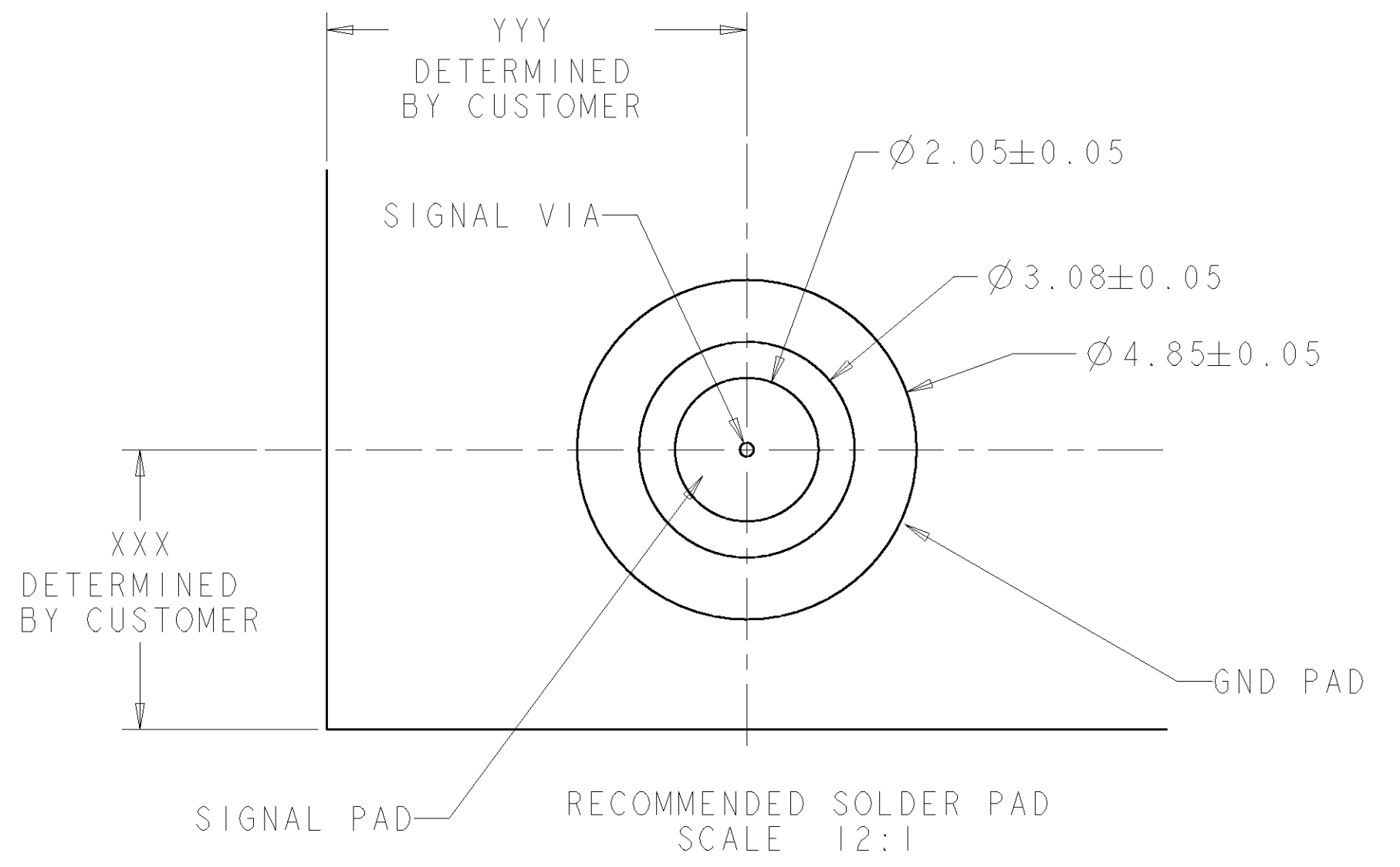
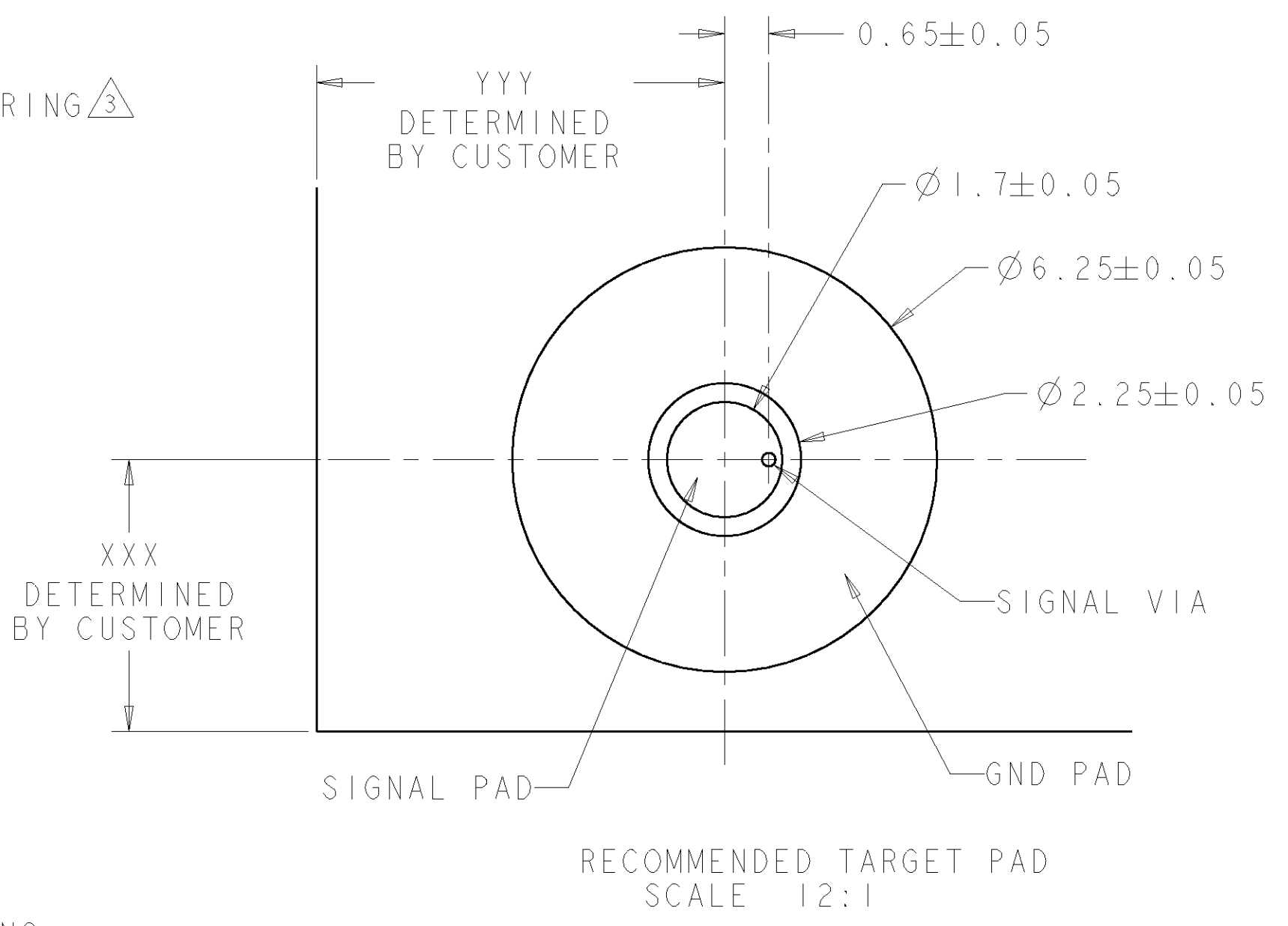
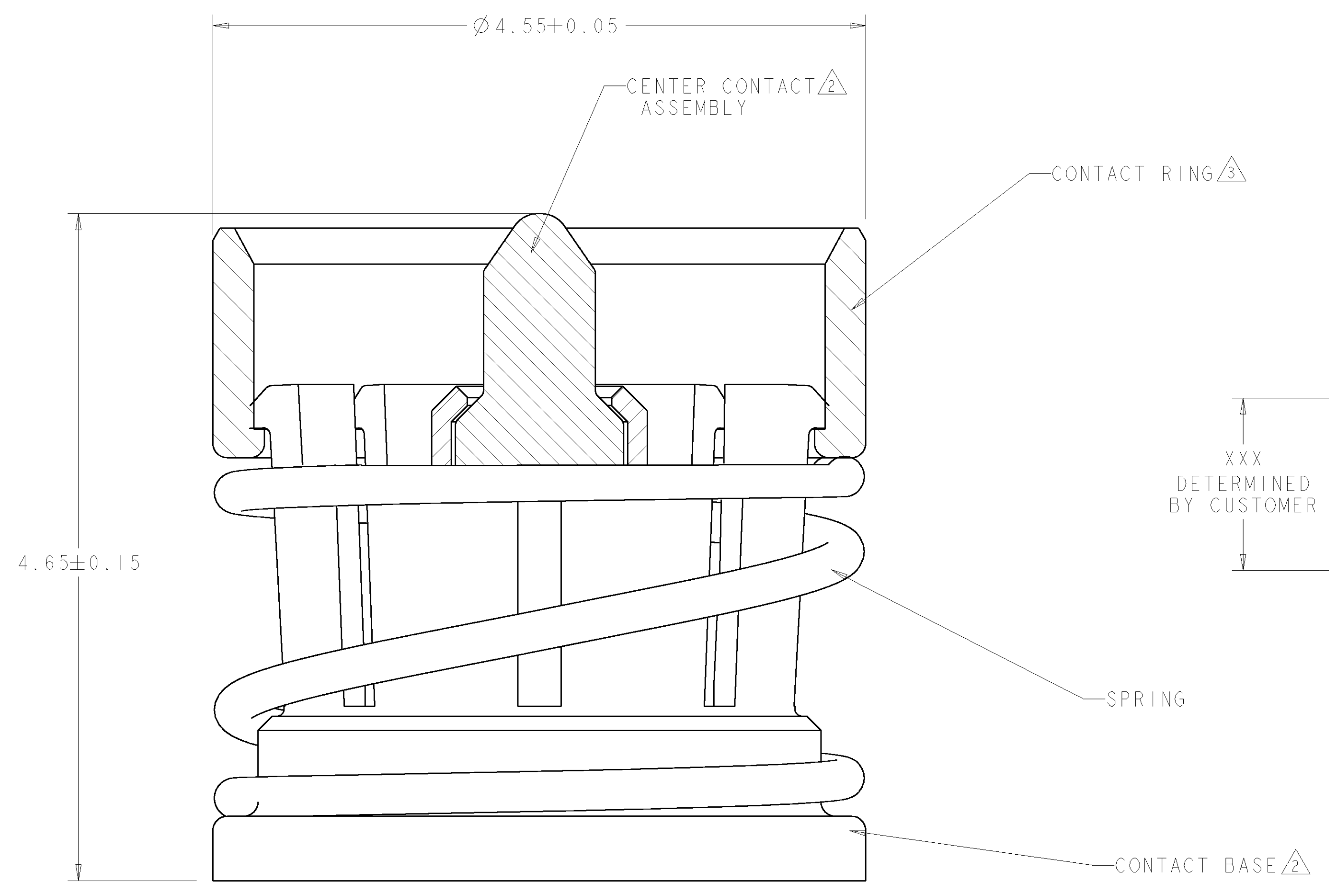
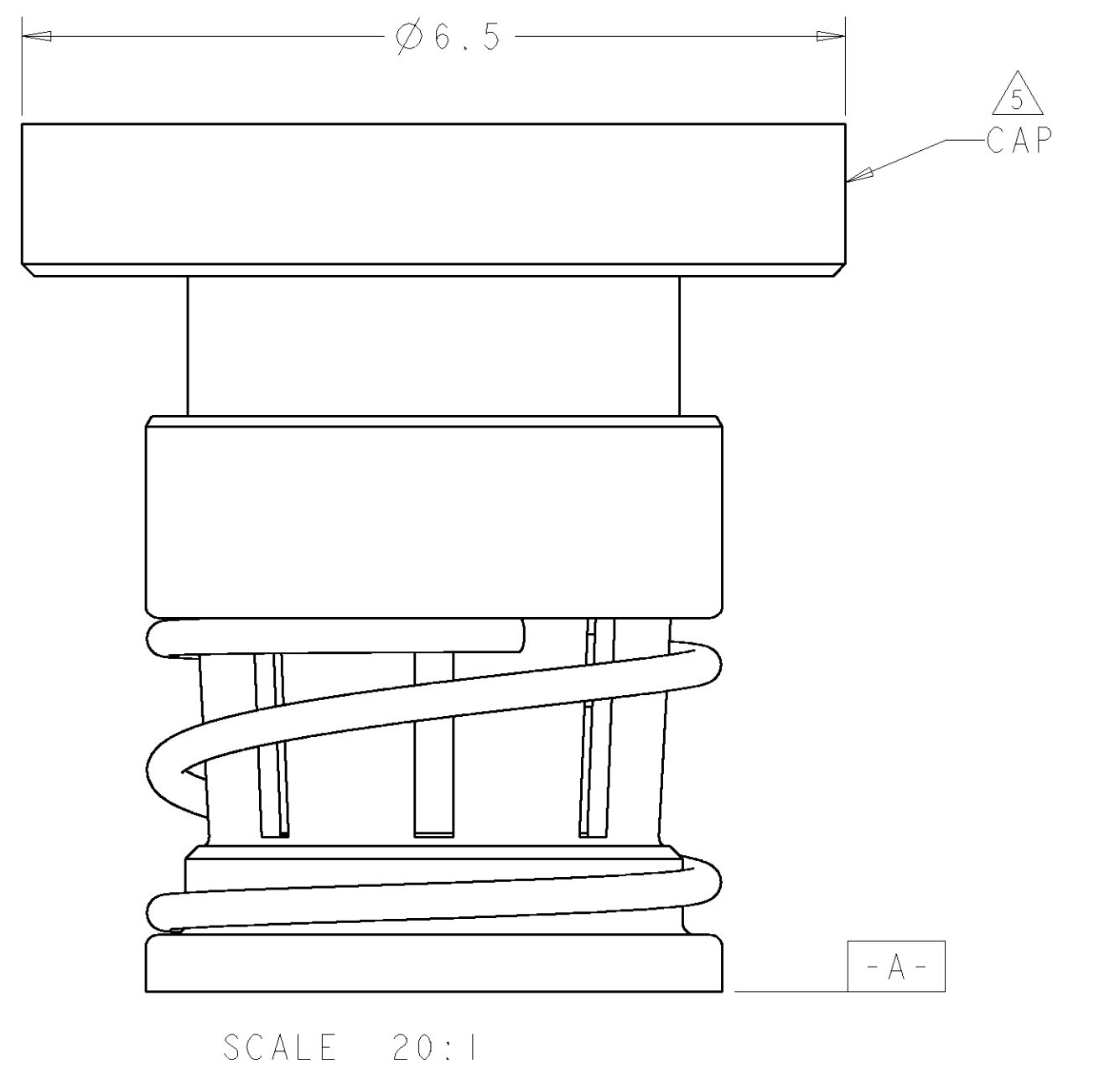


LOC	DIST	REV	DESCRIPTION	DATE	DWN	APVD
AG	00	E	REVISED PER ECO-06-011231	18MAY2006	KS	KW



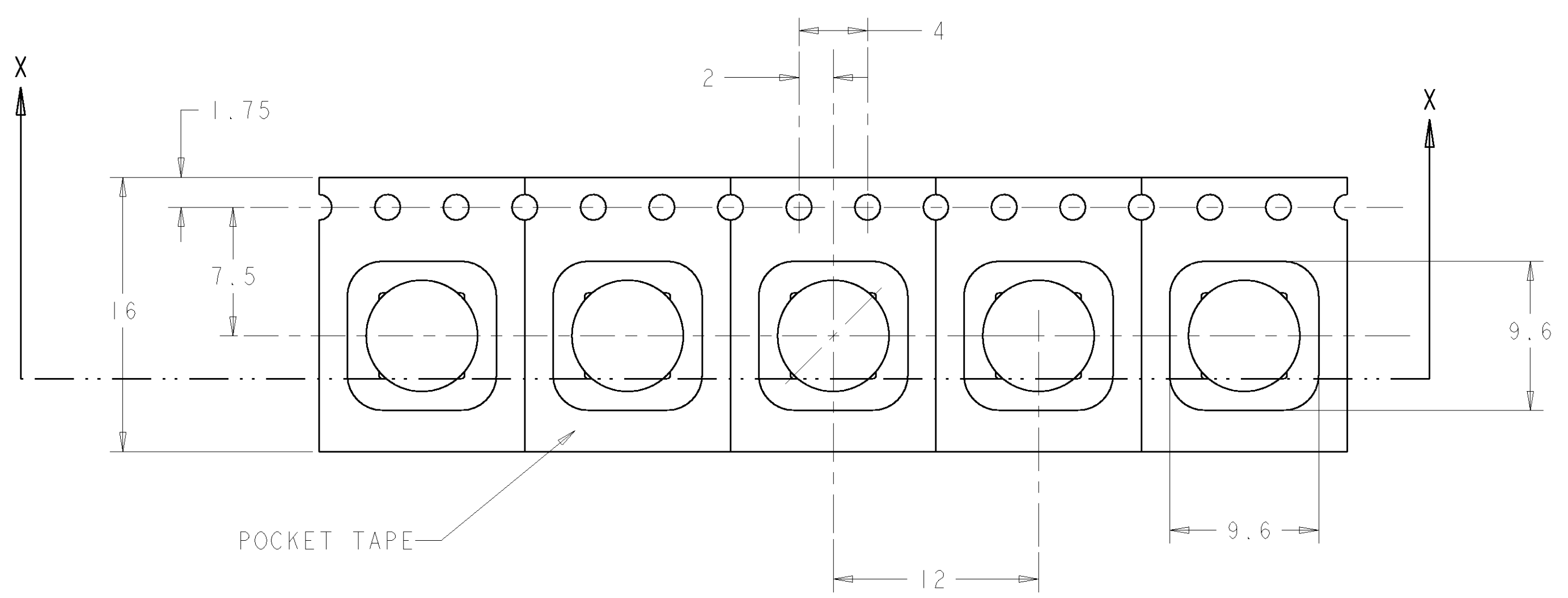
- 1 POSITION CENTER CONTACT
- 2 MATERIAL: PHOS - BRONZE, PLATING: 0.3 - 0.5 μm MIN GOLD OVER 4.0 - 6.0 μm MIN NICKEL.
- 3 MATERIAL: BRASS, PLATING: 0.3 - 0.5 μm MIN GOLD OVER 4.0 - 6.0 μm MIN NICKEL.
- 4 MISALIGNMENT BETWEEN CONNECTOR AXIS AND TARGET PAD, 0.80 mm MAX.
- 5 MATERIAL: PTFE



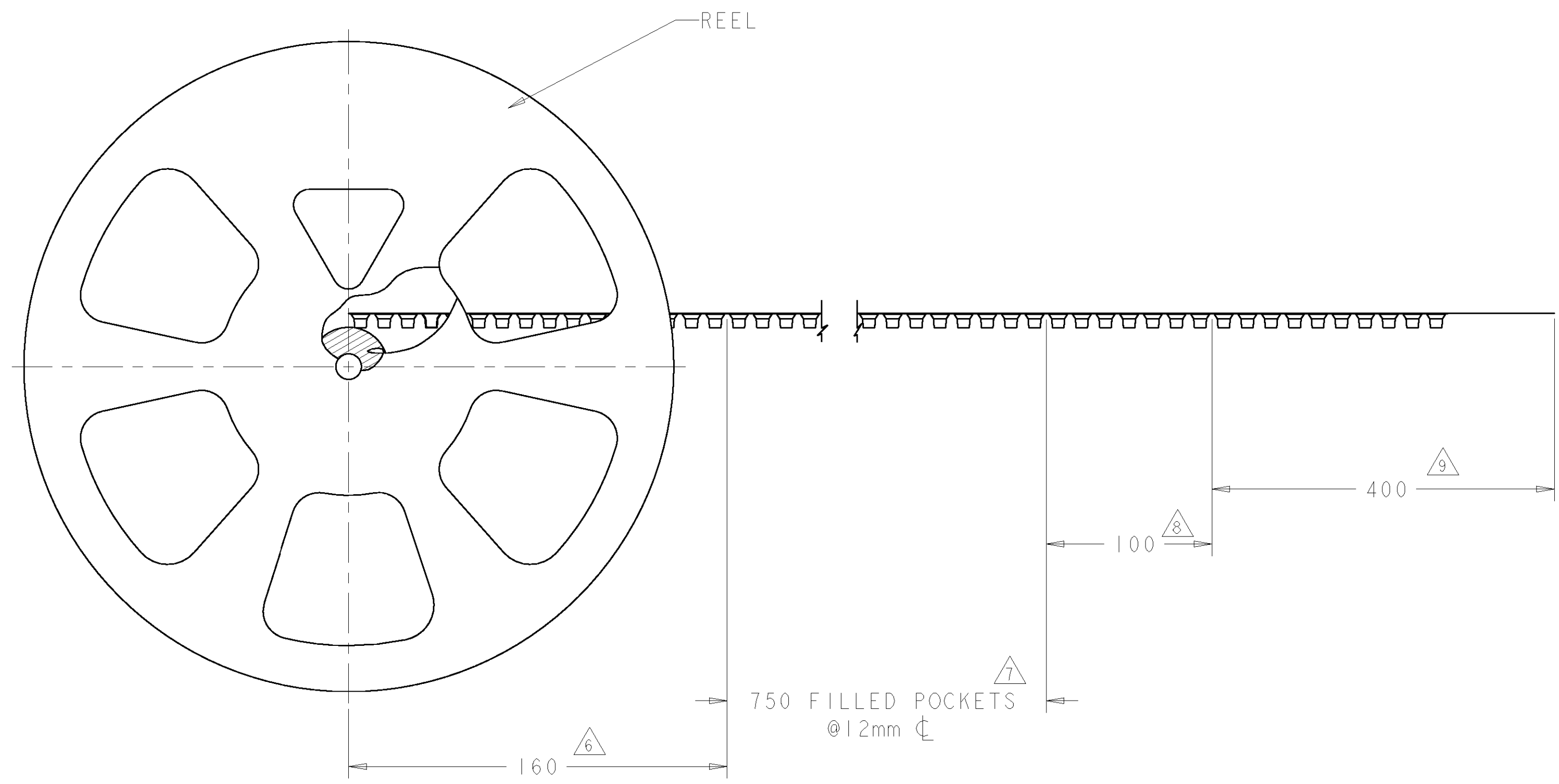
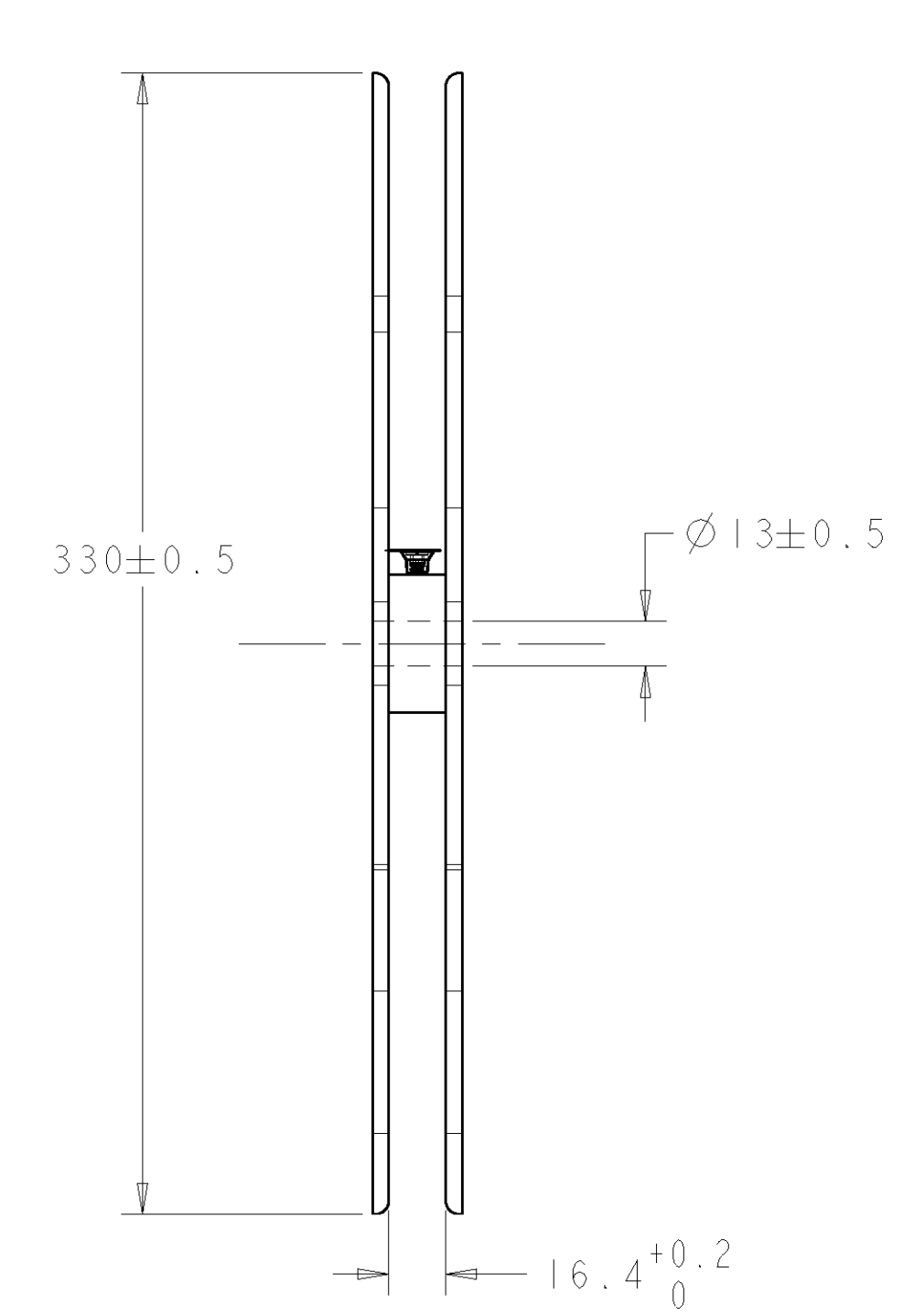
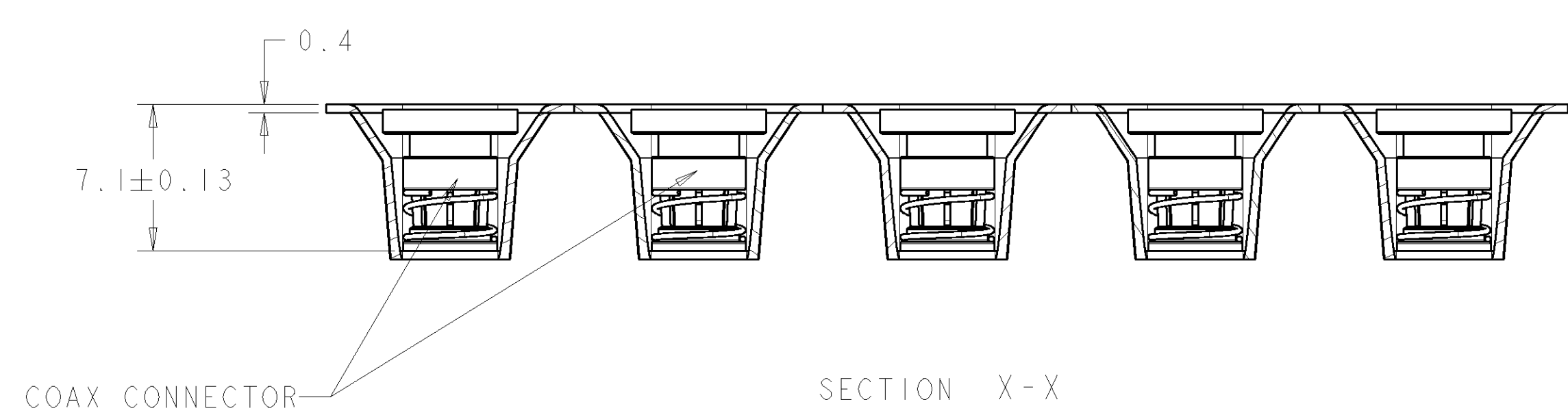
QTY	DESCRIPTION	PART NUMBER
750	REELED CONNECTOR	1658260-2
L/P	COAX CONNECTOR	1658260-1

DIMENSIONS: mm 		TOLERANCES UNLESS OTHERWISE SPECIFIED: 0 PLC ± 1 PLC ±0.2 2 PLC ±0.05 3 PLC ± 4 PLC ± ANGLES ± FINISH ±		DWN: JIM VAN SLOO 21JAN2003 ENR: M. PHILLIPS 21JAN2003 APVD: M. PHILLIPS 21JAN2003 PRODUCT SPEC APPLICATION SPEC WEIGHT CUSTOMER DRAWING		Tyco Electronics Harrisburg, PA 17105-3608 NAME: CONNECTOR, COAXIAL, BOARD TO BOARD, 4.0 mm HEIGHT SIZE: A1 CAGE CODE: 00779 DRAWING NO: 1658260 SCALE: 40:1 SHEET: 1 OF 2 REV: E	
-----------------------	--	--	--	--	--	---	--

LOC		DIST		REVISIONS			
P	LTR	DESCRIPTION	DATE	DWN	APVD		
-	-	SEE SHEET 1	-	-	-		



- 6. TRAILER, EMPTY POCKETS WITH COVER TAPE.
- 7. CARRIER POCKETS FILLED WITH 1658260-2, WITH COVER TAPE.
- 8. LEADER, EMPTY POCKETS WITH COVER TAPE.
- 9. LEADER COVER TAPE.
- 10. REELED PRODUCT PER SPEC EIA 481



DIMENSIONS:		TOLERANCES UNLESS OTHERWISE SPECIFIED:		DWN: JIM VAN SCOCCO 21 JAN 2003		tyco Tyco Electronics Harrisburg, PA 17105-3608	
mm	0 PLC ±	1 PLC ±0.2	2 PLC ±0.05	3 PLC ±	4 PLC ±	NAME: CONNECTOR, COAXIAL, BOARD TO BOARD 4.0 mm HEIGHT	
MATERIAL: -		FINISH: -		APVD: M. PHILLIPS 21 JAN 2003		SIZE: A   00779 C=1658260	
CUSTOMER DRAWING		SCALE: 40:1		SHEET: 2 OF 2		REV: E	